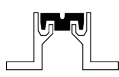
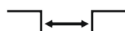


For seismic zone



Recess mounted



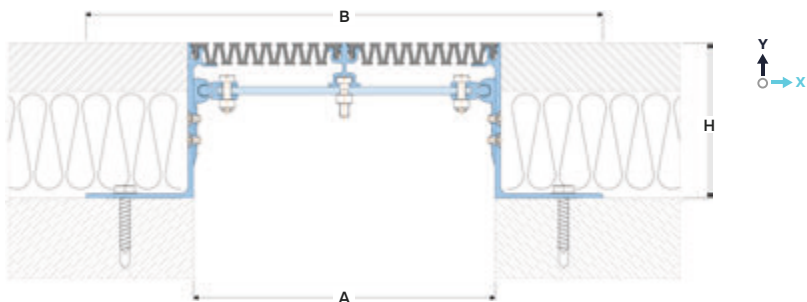
Joint width 100-1000 mm



Movements in 6 directions



Indoor/outdoor



### DESIGNATIONS:

A – nominal joint width;  
B – visible width;  
H – installation height;

$M_x$  – horizontal movements;  
 $M_y$  – Y-axis movements.

Profile	Sizes, mm			Movements, mm	
	A <sup>1</sup>	B	...=H	$M_x$	$M_y$
AV 29/100-E <sup>3</sup> /...	100	260	50 / 70 / 80 / 100 / h <sup>2</sup>	100 (+50/-50)	80 (+40/-40)
AV 29/150-E <sup>3</sup> /...	150	310		175 (+75/-100)	100 (+50/-50)
AV 29/200-E <sup>3</sup> /...	200	360		225 (+100/-125)	150 (+75/-75)
AV 29/250-E <sup>3</sup> /...	250	410		300 (-125/-175)	200 (+100/-100)
AV 29/300-E <sup>3</sup> /...	300	460		350 (+150/-200)	200 (+100/-100)
AV 29/400-P <sup>3</sup> /...	400	560		500 (+200/-300)	250 (+125/-125)
AV 29/500-P <sup>3</sup> /...	500	660		650 (+250/-400)	250 (+125/-125)
AV 29/600-P <sup>3</sup> /...	600	760		800 (+300/-500)	300 (+150/-150)

<sup>1</sup>The profile can be made for any expansion joint width from 100 up to 1000 mm (ask for details).

<sup>2</sup>Mounting height of the profile on request, where h " is a value in mm (selectable in the range from 50 mm), designated by the AV-H index (ask for details).

<sup>3</sup>E – with eccentric, P – with pantograph (see EQUIPMENT PROFILE)

## ▶ TECHNICAL DATA

### → FRAME

<b>Material</b>	Aluminum EN AW 6063 T6 (T66 <sup>4</sup> )
<b>Strength, MPa</b>	$\sigma_b = 205$ (250 <sup>4</sup> )
<b>Length, m</b>	3,0
<b>Tooling</b>	Mounting holes
<b>Fasteners</b>	Included (Screws Rawlplug R-LX-5x50-HF)

### → FLEXIBLE INSERT<sup>6</sup>

<b>Material</b>	PVC-P				
<b>Resistant</b>	-30...+100 °C, UV+O <sub>3</sub> – resistant				
<b>Length, m</b>	20 meters per roll				
<b>Color<sup>3</sup></b>	<table border="1"> <tr> <td>9005</td> <td>7035</td> <td>7037</td> <td>1015</td> </tr> </table>	9005	7035	7037	1015
9005	7035	7037	1015		

<sup>4</sup>For EU market.

<sup>5</sup>On request, the insert can be made in any RAL color (ask for details).

<sup>6</sup>On request it is possible to manufacture inserts with other geometries (ask for details).

## ▶ CORNER VERSION

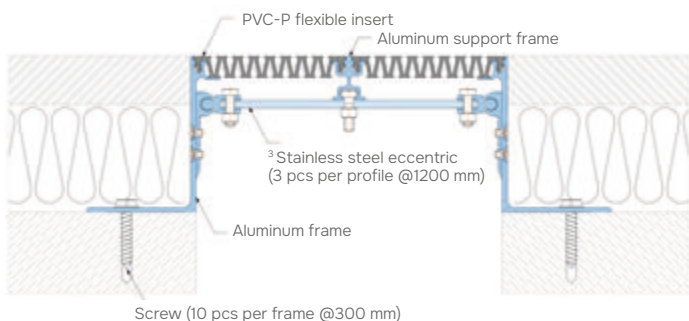
Each type of profile has a corner design for wall-to-wall connection at an angle of 90 degrees. Ask for details.

## ▶ OPTIONAL

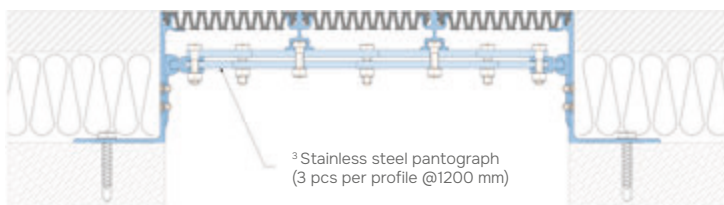
The profile can be completed with:

- Fire barrier (up to EI 240 – 4 hours).
- Moisture barrier barrier.

## ▶ EQUIPMENT PROFILE



For joints with a width of 300 mm or more, a pantograph system is used.



<sup>3</sup> For joints with a width of 100 to 300 mm inclusive, a system with eccentrics (Eccentric bar) is used.