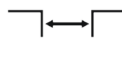




For seismic zone



Inside mounted



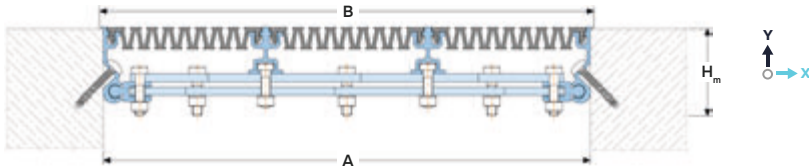
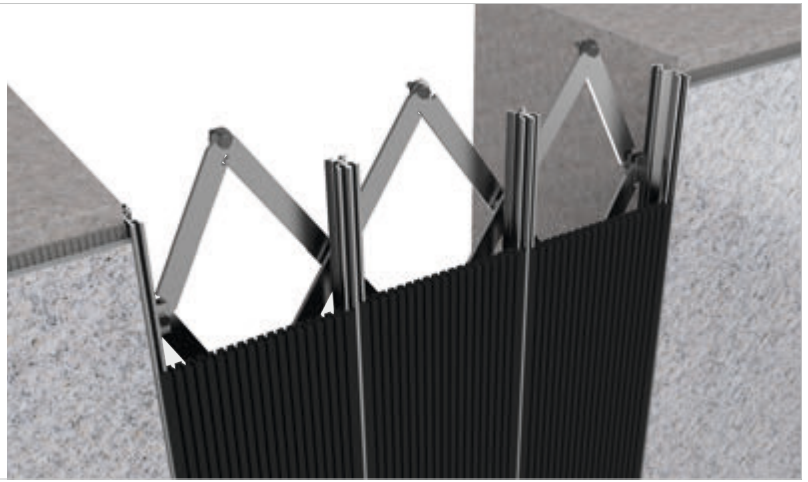
Joint width 100-1000 mm



Movements in 6 directions



Indoor/outdoor



### DESIGNATIONS:

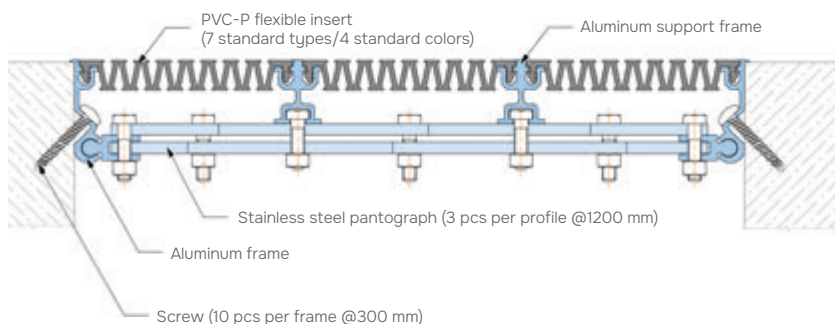
A – nominal joint width;  $M_x$  – horizontal movements;  
 B – visible width;  $M_y$  – Y-axis movements.  
 $H_m$  – installation depth;

Profile	Sizes, mm			Movements, mm	
	A <sup>1</sup>	B	H <sub>m</sub>	M <sub>x</sub>	M <sub>y</sub>
AV 27/100-E	100	105	50	100 (+50/-50)	80 (+40/-40)
AV 27/150-E	150	155	50	175 (+75/-100)	100 (+50/-50)
AV 27/200-E	200	205	50	225 (+100/-125)	150 (+75/-75)
AV 27/250-E	250	255	50	300 (-125/-175)	200 (+100/-100)
AV 27/300-P	300	305	50	350 (+150/-200)	200 (+100/-100)
AV 27/400-P	400	405	50	500 (+200/-300)	250 (+125/-125)
AV 27/500-P	500	505	50	650 (+250/-400)	250 (+125/-125)
AV 27/600-P	600	605	50	800 (+300/-500)	300 (+150/-150)

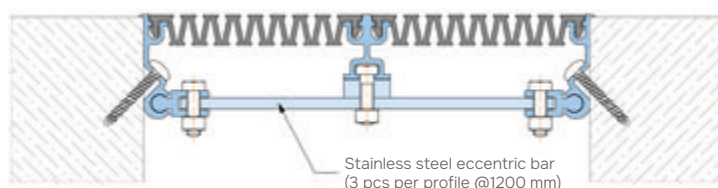
<sup>1</sup>The profile can be made to any width of the joint from 100 to 1000 mm.

### ► EQUIPMENT PROFILE

For joints with a width of 300 mm or more, a pantograph system is used (-P).



For joints with a width of 100 to 300 mm inclusive, a system with eccentrics is used (-E).



### ► TECHNICAL DATA

#### → FRAME

Material	Aluminum EN AW 6063 T6 (T66 <sup>2</sup> )
Strength, MPa	$\sigma_s=205$ (250 <sup>2</sup> )
Length, m	3,0
Tooling	Mounting holes
Fasteners	Included (Screws Rawlplug R-LX-5x50-HF)

#### → FLEXIBLE INSERT<sup>4</sup>

Material	PVC-P				
Resistant	-30...+100 °C, UV+O <sub>3</sub> – resistant				
Length, m	20 meters per roll				
Color <sup>3</sup>	<table border="1"> <tr> <td>9005</td> <td>7035</td> <td>7037</td> <td>1015</td> </tr> </table>	9005	7035	7037	1015
9005	7035	7037	1015		

<sup>2</sup>For EU market.

<sup>3</sup>On request, the insert can be made in any RAL color (ask for details).

<sup>4</sup>On request it is possible to manufacture inserts with other geometries (ask for details).

### ► CORNER VERSION

Each type of profile has a corner design for wall-to-wall connection at an angle of 90 degrees. Ask for details.

### ► OPTIONAL

The profile can be completed with:

- Fire barrier (up to EI 240 – 4 hours).
- Moisture barrier.
- Sealing gasket.