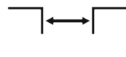




For seismic zone



Top mounted



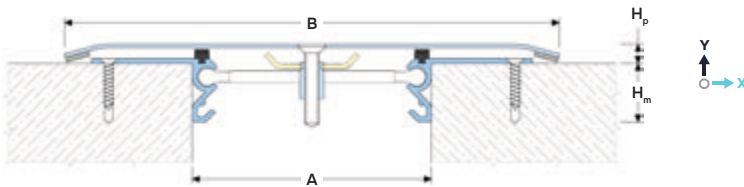
Joint width 50-1000 mm



Movements in 3 directions



Indoor/outdoor



DESIGNATIONS:

A – nominal joint width; H_m – installation depth;
 B – visible width; M_x – horizontal movements;
 H_p – profile height; M_y – Y-axis movements.

Profile	Cover type ³	Sizes, mm				Movements, mm	
		A ¹	B ²	H_p	H_m	M_x	M_y
AV 23/50	ALS ⁴ / SS / BR	50	150	7	25	50 (+25/-25)	10 (+5/-5)
AV 23/100	ALS ⁴ / SS / BR	100	200	7	25	100 (+50/-50)	16 (+8/-8)
AV 23/150	ALS ⁴ / SS / BR	150	250	7	25	150 (+75/-75)	20 (+10/-10)
AV 23/200	ALS ⁴ / SS / BR	200	300	7	25	200 (+100/-100)	26 (+13/-13)
AV 23/250	ALS ⁴ / SS / BR	250	350	7	25	250 (+125/-125)	30 (+15/-15)
AV 23/300	ALS ⁴ / SS / BR	300	450	7	25	300 (+150/-150)	36 (+18/-18)
AV 23/400	ALS ⁴ / SS / BR	400	600	7	25	400 (+200/-200)	40 (+20/-20)
AV 23/500	ALS ⁴ / SS / BR	500	750	7	25	500 (+250/-250)	50 (+25/-25)

¹The profile can be made to order for a specific width of the expansion joint and the amount of possible movements.

²The standard width is indicated when using a profile for seismic joints with the specified limits of movement. The width of the cover can be changed on request to smaller or larger, but cannot be smaller than the joint width +20 mm.

³The cover can be made in a choice of different materials. See "Material and Profile Designation".

⁴ALS – continuous aluminium sheet cover.

► TECHNICAL DATA

→ COVER

The profile is made to order from various materials to choose from:

Material	Aluminium (5052-H34)	Brass	AISI 304/316
Profile designation	ALS-XXXX XXXX – RAL color	BR-XX XX – brass surface	SS304/316-XX XX – steel surface ⁷
Strength, MPa	$\sigma_b=265$	$\sigma_b=330$	$\sigma_b=515$
Tolerances	EN 1090-3	EN 1090-2	EN 1090-2
Length, m	3,0	3,0	3,0
Tooling	Mounting holes	Mounting holes	Mounting holes
Fasteners	Included	Included	Included
Surface coat	Mill finish/Anodized On request: powder coated in RAL color or anodized in various colors (ask for details).	Various brass variants (ask for details)	³ Standard surface selection: grind/brushed/polished/textured On request: Colored and textured stainless steel

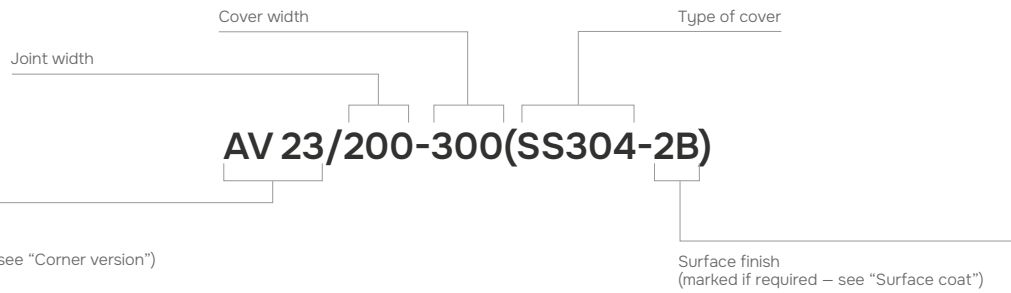
→ FRAME

Material	Aluminum EN AW 6063 T6 (T66 ⁵)
Tolerances	EN 12020-2:2008
Strength, MPa	$\sigma_b=205$ (250 ⁵)
Length, m	3,0
Tooling	Mounting holes
Fasteners	Included (Dowel-nail)
Surface coat	Mill finish

⁵For EU Market

▶ LABELING

(example)



AV 23/BR

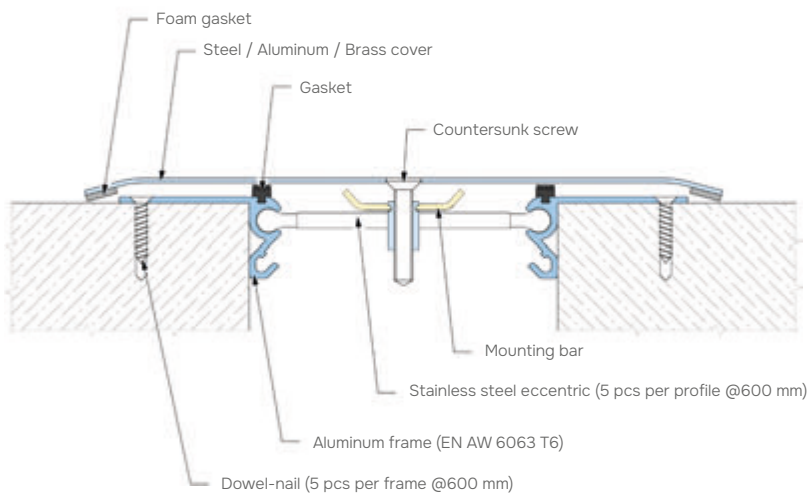


AV 23/AL



AV 23/SS

▶ EQUIPMENT PROFILE



▶ CORNER VERSION

All profiles have corner versions for floor-to-wall connections (joint along the wall). These profiles have an “E” index: AV-E.



Example: AV-E 23/100-150(SS304-4N)

▶ OPTION

