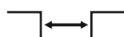


DUALINE STADIUM WAL 78



Top
mounted



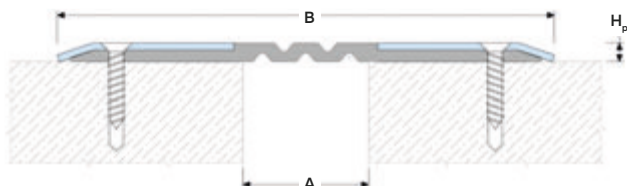
Joint width
up to 70 mm



Movements
in 6 planes



Indoor/
outdoor



DESIGNATIONS:

A – nominal joint width; H_p – profile height.
B – visible width;

Profile	Sizes, mm			Movements, mm	
	A	B	H_p	M_x	M_y
WAL 78/30	30	190	8	20 (+10/-10)	20 (+10/-10)
WAL 78/50	50	210	8	30 (+15/-15)	20 (+10/-10)
WAL 78/70	70	230	8	40 (+20/-20)	20 (+10/-10)

▶ TECHNICAL DATA

→ FRAME

Material	AISI 304 ¹ (1.4301)
Tolerances	EN 1090-2
Strength, MPa	$\sigma_s=515$
Length, m	On request ²
Tooling	Countersunk head mounting holes
Fasteners	Included (Screws Rawlplug R-LX-5x50-CS)

→ INSERT

Material	PVC-P
Resistant	30...+100 °C, UV+O ₃ + Bitum – resistant
Length, m	20 meters per roll
Color	Black ³

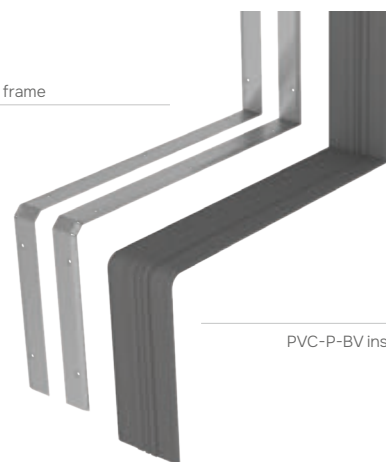
¹ For EU market.

² The profile is made to order according to the dimensions of the stadium grandstand steps.

³ On request, the insert can be made in any RAL color (ask for details).

▶ EQUIPMENT PROFILE

Stainless steel frame



PVC-P-BV insert

▶ DESCRIPTION

The WAL 78 profile is manufactured to the dimensions of the stadium steps and does not require a landing⁴.

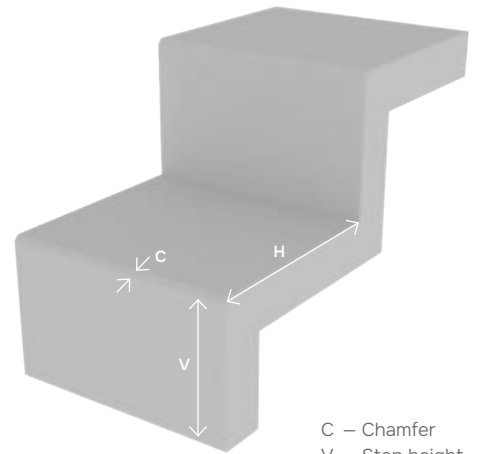
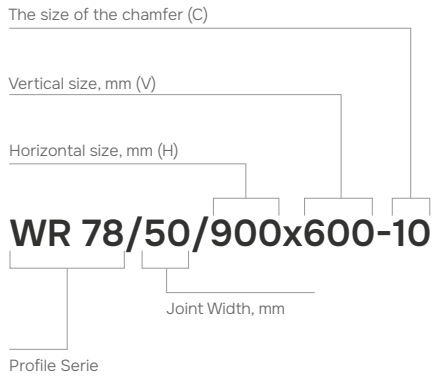
The flexible insert unwinds over the entire height of the grandstand and is pressed securely into place by the aluminum frames, thus creating a moisture-proof structure.

To create a complete waterproofing it is necessary to glue the waterproofing membrane before installing the profile.

⁴ It is not possible to fix the profile to the step without a chamfer - It is necessary to have a chamfer on the grand-stand.

▶ LABELING

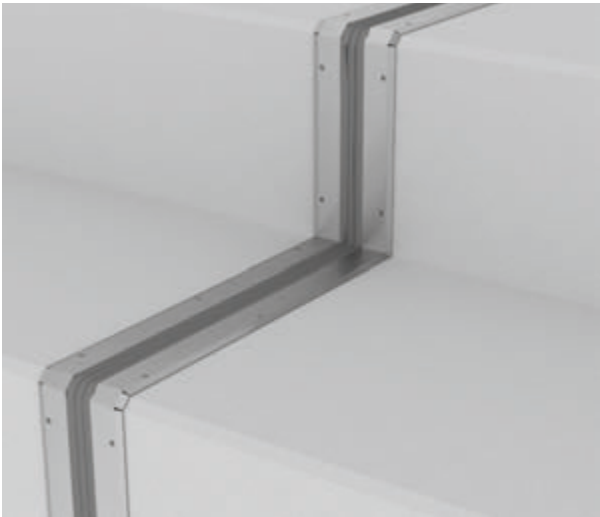
(example)



▶ OPTIONAL



Using a vapor barrier for waterproofing an expansion joint.



Use of a fire barrier with a fire resistance rating of up to EI 240.

