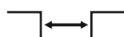


# DUALINE STADIUM WAL 76



Top  
mounted



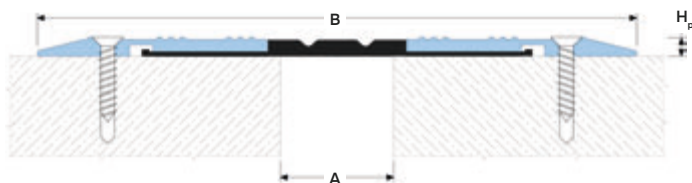
Joint width  
up to 70 mm



Movements  
in 6 planes



Indoor/  
outdoor



## DESIGNATIONS:

A – nominal joint width;  $H_p$  – profile height.  
B – visible width;

Profile	Sizes, mm			Movements, mm	
	A	B	$H_p$	$M_x$	$M_y$
WAL 76/30	30	240	8.3	10 (+5/-5)	20 (+10/-10)
WAL 76/50	50	260	8.3	14 (+7/-7)	20 (+10/-10)
WAL 76/70	70	280	8.3	20 (+10/-10)	20 (+10/-10)

## ▶ TECHNICAL DATA

### → FRAME

<b>Material</b>	Aluminum EN AW 6063 T6 (T66 <sup>1</sup> )
<b>Tolerances</b>	EN 12020-2:2008
<b>Strength, MPa</b>	$\sigma_g=205$ (250 <sup>1</sup> )
<b>Length, m</b>	On request <sup>2</sup>
<b>Tooling</b>	Countersunk head mounting holes
<b>Fasteners</b>	Included (Screws Rawlplug R-LX-5x50-CS)

### → INSERT

<b>Material</b>	PVC-P
<b>Resistant</b>	30...+100 °C, UV+O <sub>3</sub> + Bitum – resistant
<b>Length, m</b>	20 meters per roll
<b>Color</b>	Black <sup>3</sup>

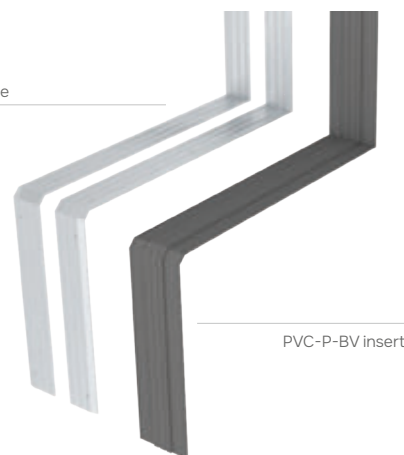
<sup>1</sup> For EU market.

<sup>2</sup> The profile is made to order according to the dimensions of the stadium grandstand steps.

<sup>3</sup> On request, the insert can be made in any RAL color (ask for details).

## ▶ EQUIPMENT PROFILE

Aluminium frame



PVC-P-BV insert

## ▶ DESCRIPTION

The WAL 76 profile is manufactured to the dimensions of the stadium steps and does not require a landing<sup>4</sup>.

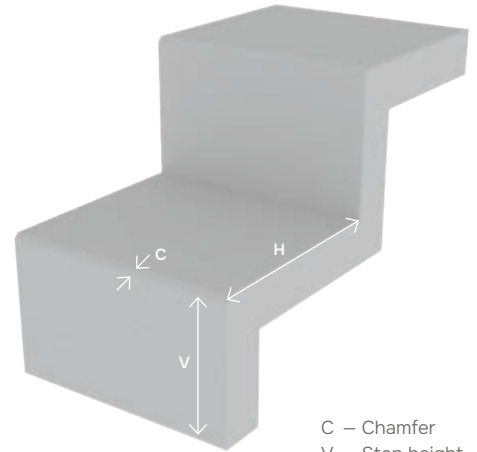
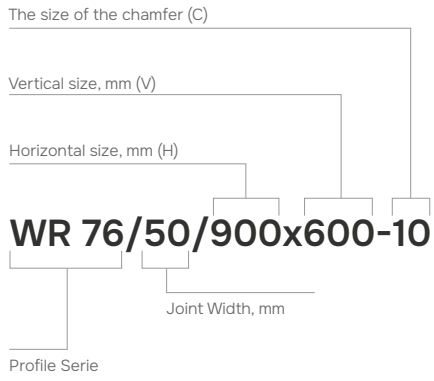
The flexible insert unwinds over the entire height of the grandstand and is pressed securely into place by the aluminum frames, thus creating a moisture-proof structure.

To create a complete waterproofing it is necessary to glue the waterproofing membrane before installing the profile.

<sup>4</sup> It is not possible to fix the profile to the step without a chamfer - It is necessary to have a chamfer on the grand-stand.

## ▶ LABELING

(example)



C – Chamfer  
V – Step height  
H – Step depth

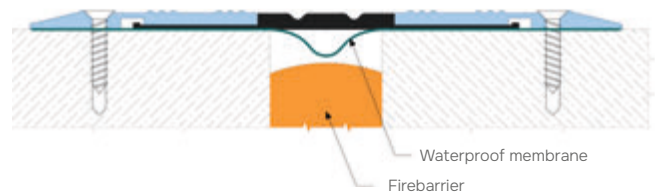
## ▶ OPTIONAL



Using a vapor barrier for waterproofing an expansion joint.



Use of a fire barrier with a fire resistance rating of up to EI 240.



## ▶ STADIUM PHOTOS

