

DUALLINE ROOF RV 27



For seismic zone



Top mounted



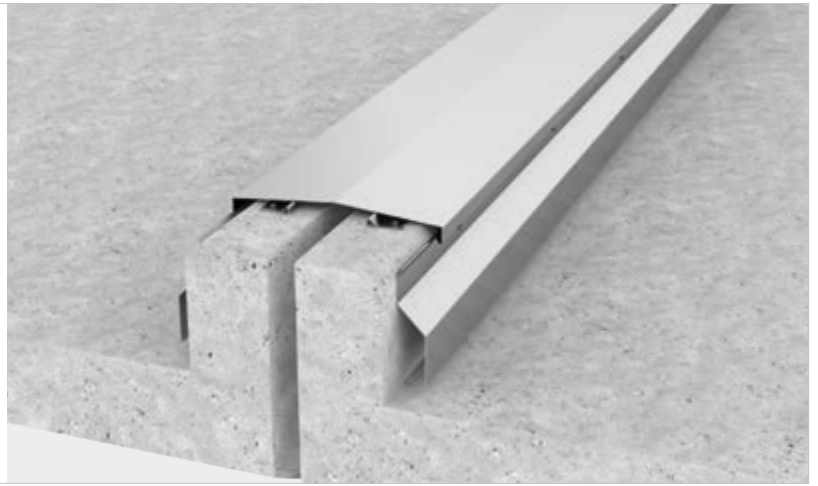
Joint width 50-500 mm



Movements in 3 directions

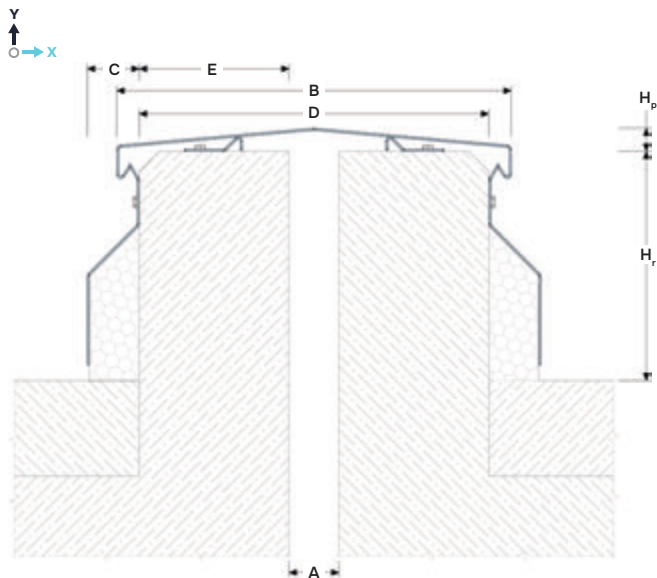


Outdoor

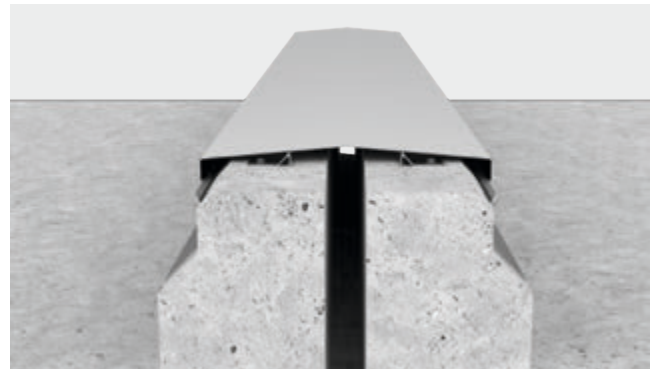


DESIGNATIONS:

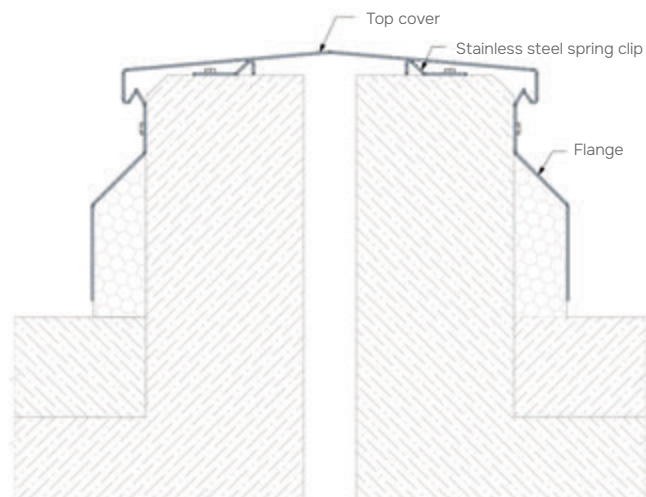
A – nominal joint width; E – parapet width;
 B – visible cover width; H_p – height above parapet;
 C – flange width; H_r – height at the parapet;
 D – parapet full width; M_x – movements.



VIEW



EQUIPMENT PROFILE



DESCRIPTION

DUALLINE Roof RV 27 is a ridge type profile and is custom made to fit the size of the roof parapet on which it will be installed. The profile cover and flanges are customisable and can be made of any material of your choice: - Aluminium - Stainless steel AISI 304, 316, etc.