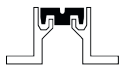
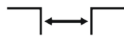


# DUALLINE HEAVY SVSS 45



Recess  
mounted



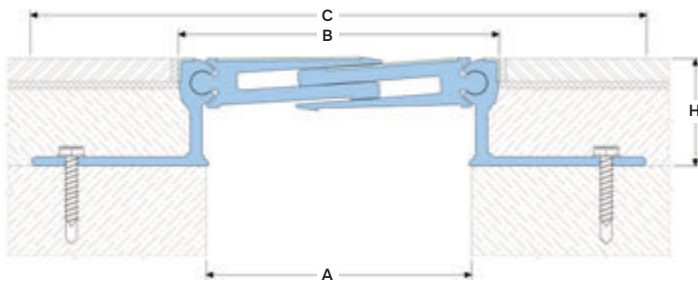
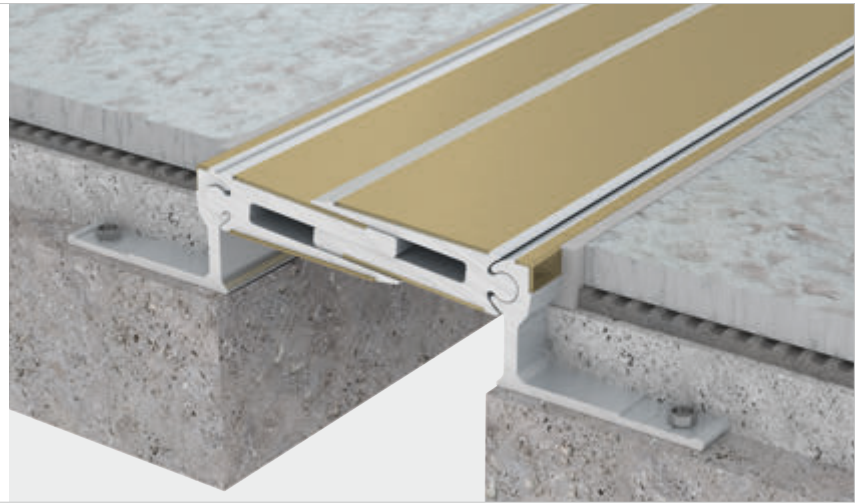
Joint width  
75-500 mm



Movements  
in 3 planes



Indoor/  
outdoor



## DESIGNATIONS:

A – nominal joint width;  
B – visible width;  
C – full width (min mounting seat);  
H – installation height;  
 $M_x$  – horizontal movements;  
 $M_y$  – vertical movements;

Profile	Cover type <sup>2</sup>	Sizes, mm			Movements, mm		Permissible loads (kN)			
		A <sup>3</sup>	B	H <sup>1</sup>	$M_x$	$M_y$				
SVSS 45/75/... <sup>1</sup>	BR / SS	75	105	25 / 50 / 75 / 100	30 (+15/-15)	30 (+15/-15)	50	600	70	10
SVSS 45/100/... <sup>1</sup>	BR / SS	100	130	25 / 50 / 75 / 100	40 (+20/-20)	40 (+20/-20)	50	600	70	10
SVSS 45/135/... <sup>1</sup>	BR / SS	135	160	30 / 53 / 80	50 (+25/-25)	50 (+25/-25)	50	600	70	10
SVSS 45/155/... <sup>1</sup>	BR / SS	155	180	30 / 53 / 80	60 (+30/-30)	60 (+30/-30)	50	600	70	10
SVSS 45/200/... <sup>1</sup>	BR / SS	200	220	30 / 53 / 80	60 (+30/-30)	60 (+30/-30)	50	600	70	10

<sup>1</sup>... – installation height to choose from standard (see H).

<sup>2</sup>The cover can be made in a choice of different materials. See "Material and Profile Designation"

<sup>3</sup>Optional The profile can be manufactured to any joint width up to 500 mm. Please enquire for details.

## ▶ TECHNICAL DATA

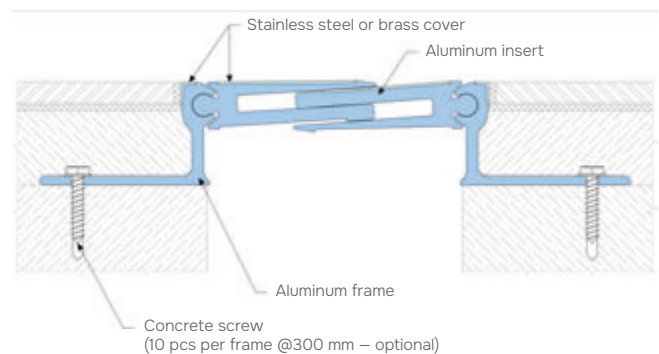
### → FRAME AND INSERT

Material	Aluminum EN AW 6063 T66
Tolerances	EN 12020-2:2008
Strength, MPa	$\sigma_b=250$
Length, m	3,0
Tooling	Mounting holes
Fasteners	Included (Screws Rawlplug R-LX-5x50-HF)

### → COVER

Material	Brass	AISI 304 <sup>4</sup> (1.4301)
Profile designation	BR	SS304-XX
Strength, MPa	$\sigma_b=240$	$\sigma_b=515$
Tolerances	EN 1090-2	EN 1090-2
Length, m	2,5	2,5
Surface coat	Mill finish	Standard surface selection: grind/brushed/polished/textured On request (see "Surface types"): • Colored stainless steel; • Textured stainless steel.

## ▶ EQUIPMENT PROFILE



<sup>4</sup>On request, the cover can be made of other types of stainless steel: AISI 316, 430 or others.

## ▶ LABELING

(example)

Profile height (May have a double meaning if a different height version is used – see #3)

Material and material surface of cover

Joint width

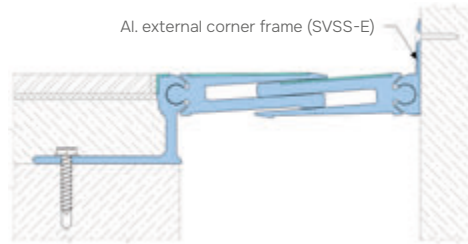
**SVSS 45/160/100/SS304-4N**

Profile Series:  
SVSS 45– standard version  
SVSS-E 45– marked if required – see “Corner version”

## ▶ CORNER VERSION

Profiles have corner versions for Floor-to-wall connections (joint along the wall). These profiles have an index “E”: SV-E.

Al. external corner frame (SVSS-E)

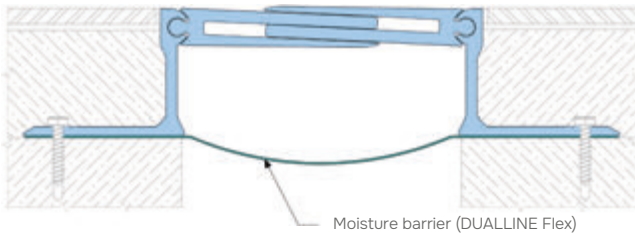


Example: SVSS-E 45/155/80

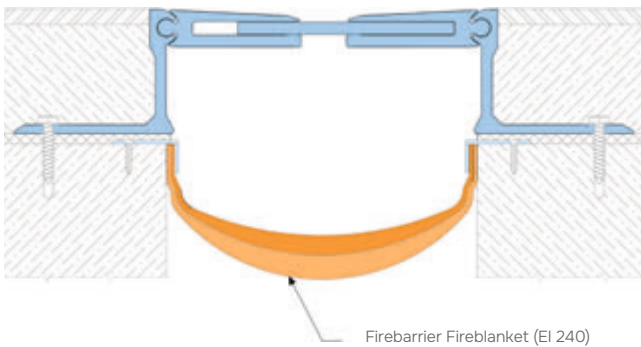
## ▶ EXECUTION OPTIONS



Using a moisture barrier for waterproofing an expansion joint.



Use of a fire barrier with a fire resistance rating of up to EI 240.



Different height version of the profile.

Example: SVSS 45/135/80-30

