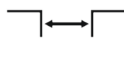




For seismic zone



Top mounted



Joint width 50-500 mm



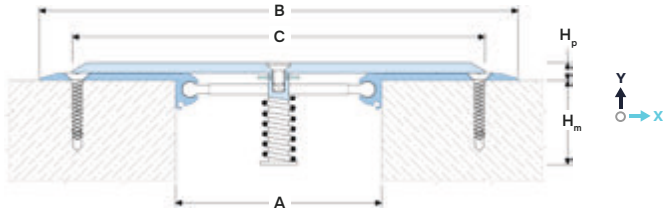
Movements in 3 planes



Indoor/outdoor



Loads up to 100 kN



DESIGNATIONS:

A – nominal joint width;
B – visible width;
C – mounting seat;
H_m – profile height;

H_p – cover height;
M_x – horizontal movements;
M_y – vertical movements.

Profile	Cover type ¹	Sizes, mm					Movements ³ , mm		Permissible loads ⁴ (kN)			
		A ²	B	C	H _m	H _p	M _x	M _y				
SV 53/50-185	.1 / .3	50	185	150	40	8	50 (±25)	10 (±5)	50	100	30	5
SV 53/75-210	.1 / .3	75	210	175	40	8	80 (±40)	20 (±10)	50	100	30	5
SV 53/100-235	.1 / .3	100	235	200	40	8	100 (±50)	30 (±15)	50	100	30	5
SV 53/150-285	.1 / .3	150	285	250	40	8	150 (±75)	40 (±20)	50	100	30	5
SV 53/200-335	.1 / .3	200	335	300	40	8	200 (±100)	50 (±25)	50	100	30	5
SV 53/250-385	.1 / .3	250	385	350	40	9	250 (±125)	80 (±40)	50	–	–	–
SV 53/300-435	.1 / .3	300	435	400	40	9	300 (±150)	100 (±50)	50	–	–	–

¹ The cover can be made in a choice of different materials. See "Material and Profile designation".

² The profile can be made to any specific expansion joint width from 50 mm. Request additional data.

³ The standard width is indicated when using a profile for seismic joints with the specified limits of movement.

⁴ It is possible to reduce the width with smaller movements. Speed limit: no more than 5 km/h.

► TECHNICAL DATA

→ FRAME

Material	Aluminum EN AW 6063 T6 (T66 ⁵)
Tolerances	EN 12020-2:2008
Strength, MPa	σ ^a =205
Length, m	3,0
Tooling	Mounting holes
Fasteners	Included (Screws Rawlplug R-LX-5x50-CS or analogues)

The profile is made to order from various materials to choose from:

→ COVER

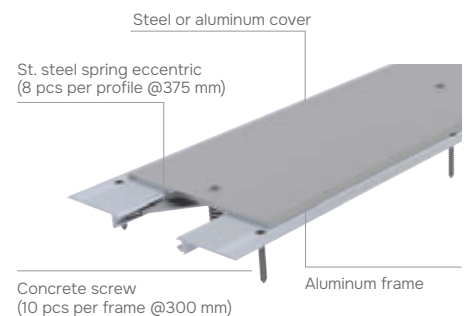
Material	Aluminum EN AW 2124	AISI 304 ⁶ (1.4301)
Profile designation ⁴	.1	.3 ⁷
Strength, MPa	σ _b =470	σ _b =515
Tolerances	EN 12020-2:2008	EN 1090-2
Length, m	3.0	3.0
Tooling	Mounting holes	Mounting holes
Surface coat	Mill finish	Grind/brushed ⁷

⁵ For the EU market.

⁶ On request, the cover can be made of other types of stainless steel: AISI 316, 430 or others.

⁷ The cover is available in different finishes: grind or brushed.

► EQUIPMENT PROFILE



► CORNER VERSION

