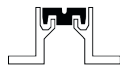




For seismic zone



Recess mounted



Joint width 50-500 mm



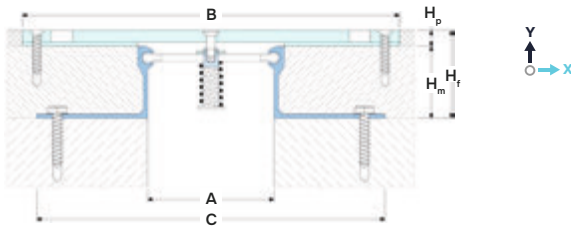
Movements in 3 planes



Indoor/ outdoor



Loads up to 600 kN



DESIGNATIONS:

A – nominal joint width; H_p – cover height;
 B – visible width; H_f – full height;
 C – mounting seat; M_x – horizontal movements;
 H_m – profile height; M_y – vertical movements;

Profile	Sizes, mm						Movements ³ , mm			Permissible loads (kN)			
	A ²	B ³	C	H_m	H_p	$\dots=H_f$	M_s^3	M_x	M_y^5				
SV 51/50/... ¹	50	250	210	16, 20, 25, 34, 50, 70, 80, 100, 110, 120, 150, h ⁴	8	$H_m + H_p$	up to 100%	60 (±30)	10 (±5)	50	600	70	10
SV 51/75/... ¹	75	275	235		8		up to 100%	60 (±30)	20 (±10)	50	600	70	10
SV 51/100/... ¹	100	300	260		8		up to 100%	60 (±30)	30 (±15)	50	600	70	10
SV 51/150/... ¹	150	390	310		9		up to 100%	60 (±30)	40 (±20)	50	600	70	10
SV 51/200/... ¹	200	450	360		11		up to 100%	60 (±30)	50 (±25)	50	600	70	10
SV 51/250/... ¹	250	510	410		11		up to 100%	60 (±30)	80 (±40)	50	600	70	10
SV 51/300/... ¹	300	600	460		13		up to 100%	60 (±30)	100 (±50)	50	600	70	10

¹ ... - profile height, selected from H values.

² The profile can be made to any specific expansion joint width from 50 up to 500 mm. Request additional data.

³ The standard width is indicated when using a profile for seismic joints with the specified limits of movement. It is possible to produce a profile with movements up to +/-100% of the joint width

⁴ The profile can be made to the required mounting height, where "h" is the value in mm (from 50). In this case, the profile article has the designation SV-H. Ask for details.

⁵ Only pedestrian traffic is permissible in case of vertical movements.

▶ TECHNICAL DATA

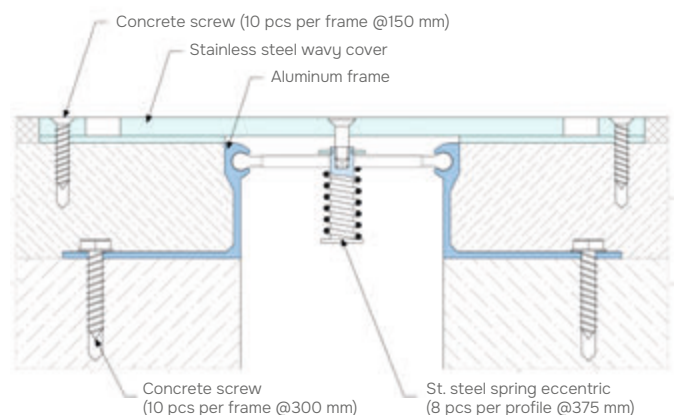
→ FRAME

Material	Aluminum EN AW 6063 T6 (T66 ⁷)
Tolerances	EN 12020-2:2008
Strength, MPa	$\sigma_b=205$ (255 ⁷)
Length, m	2,5; 3,0
Tooling	Mounting holes
Fasteners	Not Included (Screws Rawlplug R-LX or analogues)

→ COVER

Material	AISI 304 ⁸ (1.4301)
Profile designation ⁴	.3-XX (XX – steel surface ⁹)
Strength, MPa	$\sigma_b=515$
Tolerances	EN 1090-2
Length, m	3.0
Tooling	Mounting holes
Fasteners	Included (Screws Rawlplug R-LX or analogues)
Surface coat	Grind/brushed

▶ EQUIPMENT PROFILE



⁷ For EU market.

⁸ On request, the cover can be made of other types of stainless steel: AISI 316, 430 or others.

▶ LABELING

(example)



Profile Series:

SV 51 – standard version

SV-H 51 – profile height on request (marked if required - see #3)

Surface cover marked if required – see “Surface coat”)

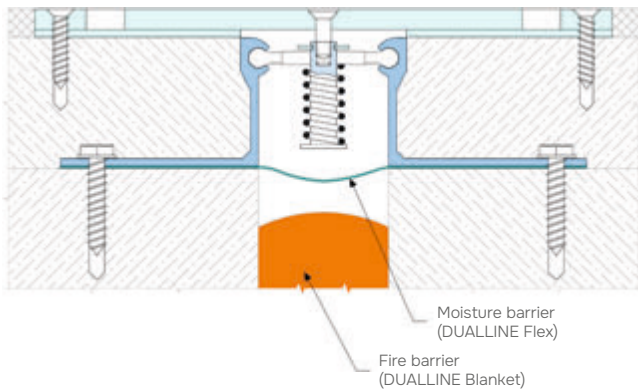
▶ EXECUTION OPTIONS



Using a moisture barrier for waterproofing an expansion joint.



Use of a fire barrier with a fire resistance rating of up to EI 240.



The profile can be made to order for the required height from 50 to 200 mm. In this case, it is completed with an assembled frame consisting of an aluminum guide and a steel angle.

