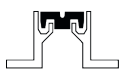


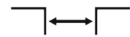
# DUALLINE HEAVY SV 45



Loads up to 600 kN



Recess mounted



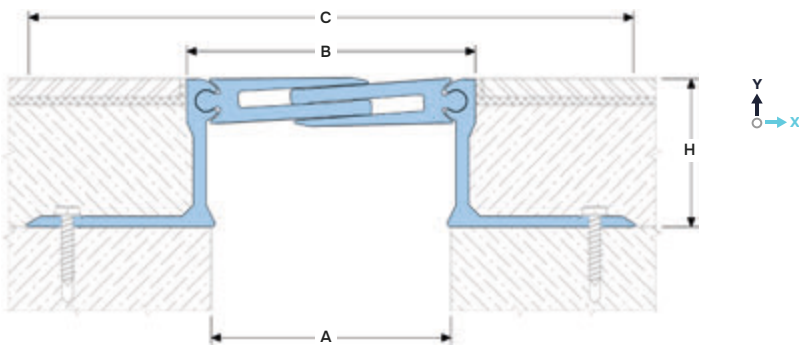
Joint width up to 1000 mm



Movements in 3 planes



Indoor/  
outdoor<sup>4</sup>



## DESIGNATIONS:

A – nominal joint width;  
B – visible width;  
C – width seat;

H – installation height;  
 $M_x$  – horizontal movements;  
 $M_y$  – vertical movements;

Profile	Sizes, mm				Movements, mm		Permissible loads <sup>5</sup> (kN)			
	A <sup>3</sup>	B	C	...=H <sup>1</sup>	$M_x$	$M_y$				
SV 45/135/... <sup>1</sup>	135	155	335	30, 53, 80, 100, 120, h <sup>2</sup>	54 (+27/-27)	60 (+30/-30)	50	600	140	30
SV 45/160/... <sup>1</sup>	160	180	360		70 (+35/-35)	70 (+35/-35)	50	600	140	30
SV 45/190/... <sup>1</sup>	190	210	390		100 (+50/-50)	80 (+40/-40)	50	600	140	30
SV 45/250/... <sup>1</sup>	250	270	450		130 (+65/-65)	100 (+50/-50)	50	600	140	30
SV 45/270/... <sup>1</sup>	270	290	470		60 (+30/-30)	110 (+55/-55)	50	600	140	30
SV 45/300/... <sup>1</sup>	300	320	500		80 (+40/-40)	120 (+60/-60)	50	600	140	30

<sup>1</sup>... – installation height to choose from standard (see H)

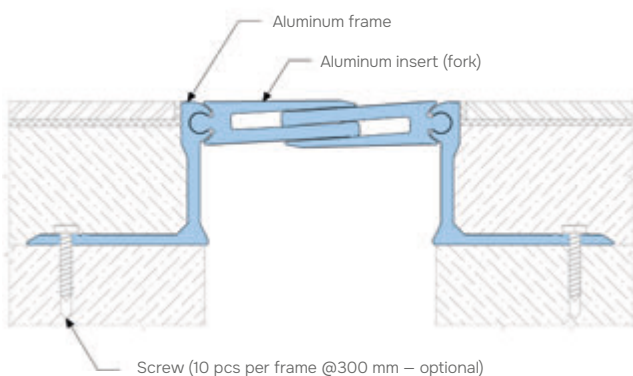
<sup>2</sup> Mounting height of the profile on request, where "h" is a value in mm (selectable in the range from 50 to 200 mm), designated by the SV-H index (see "execution options" #3).

<sup>3</sup> The profile can be customised to any joint width from 300 to 1000 mm.

<sup>4</sup> It is not recommended to use the profile under the open rays of the sun and with possible large temperature fluctuations due to the large difference in the coefficients of thermal expansion of concrete and aluminum.

<sup>5</sup> When movements increase to maximum values, the load-bearing capacity of the profile decreases.

## ► EQUIPMENT PROFILE



## ► TECHNICAL DATA

### → FRAME AND INSERT

Material	Aluminum EN AW 6063 T6 (T66 <sup>6</sup> )
Strength, MPa	$\sigma_b=205$ (255 <sup>6</sup> )
Tolerances	EN 12020-2:2008
Tooling	Mounting holes
Fasteners	Optional (Screws Rawlplug)
Surface coat	Without coating <sup>7</sup>
Length, m	3,0

<sup>6</sup> For EU market.

<sup>7</sup> The profile can be optionally anodized (ask for details).

## ▶ LABELING

(example)

Profile height (May have a double meaning if a different height version is used – see #5)

Powder coating or anodized (marked if required)

Joint width

**SV45/160/100/GAN**

Profile Series:

SV 45– standard version

SV-E 45– marked if required – see “Corner version”

SV-H 45– profile height on request (marked if required – see #3)

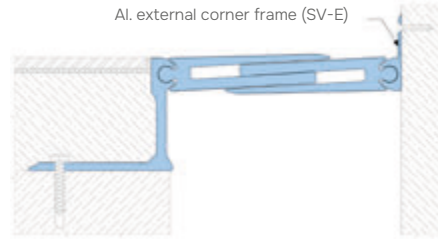
SV-HAU 45– profile version SV-H 45 with additional anchors

(marked if required – see #3)

## ▶ CORNER VERSION

Profiles have corner versions for Floor-to-wall connections (joint along the wall). These profiles have an index “E”: SV-E.

Al. external corner frame (SV-E)

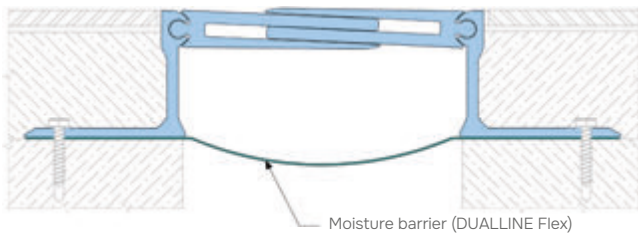


Example: SV-E 45/160/80

## ▶ EXECUTION OPTIONS



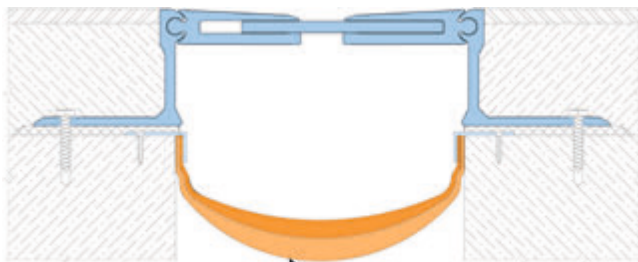
Using a moisture barrier for waterproofing an expansion joint.



Moisture barrier (DUALLINE Flex)



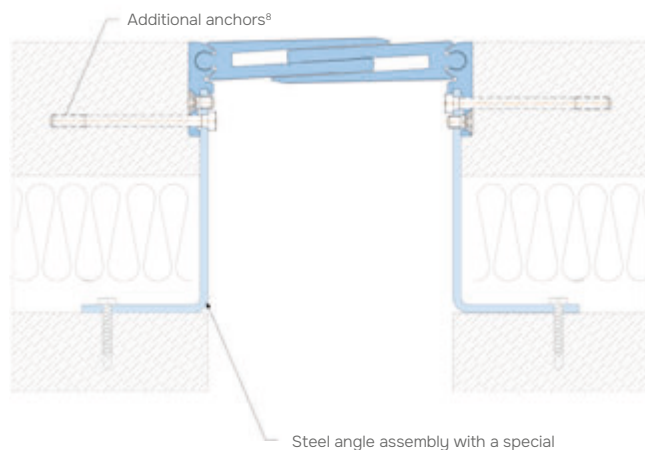
Use of a fire barrier with a fire resistance rating of up to EI 240.



Firebarrier Fireblanket (EI 240)



The profile can be made to order for the required height from 50. In this case, it is completed with an assembled frame consisting of an aluminum guide and a steel angle.

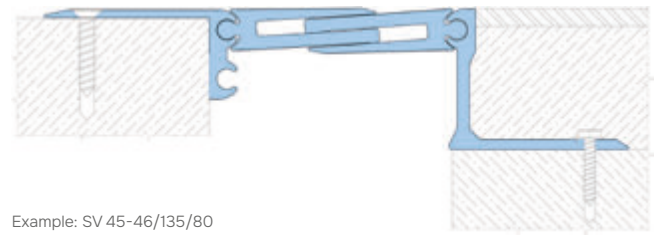


Additional anchors<sup>8</sup>

Steel angle assembly with a special



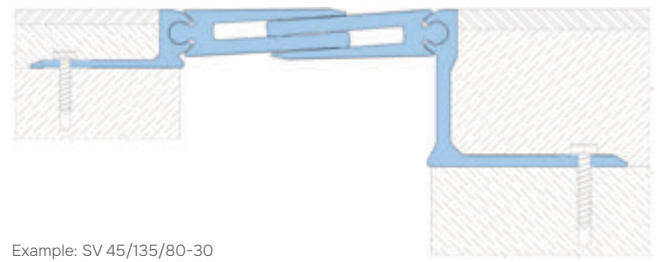
Recess - top mounted profile version (SV 45-46).



Example: SV 45-46/135/80



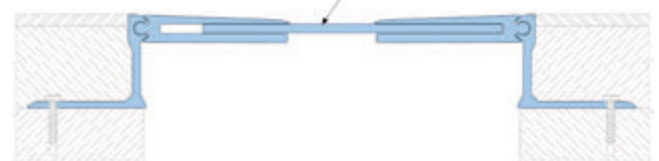
Different height version of the profile.



Example: SV 45/135/80-30



Extension insert<sup>9</sup>



<sup>9</sup> Profiles for a joint width of 270 mm are completed with an extension insert: SV 45/270 and SV 45/300

<sup>8</sup> Additional anchors are recommended for installation heights over 150 mm and high loads.