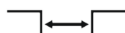


Recess  
mounted



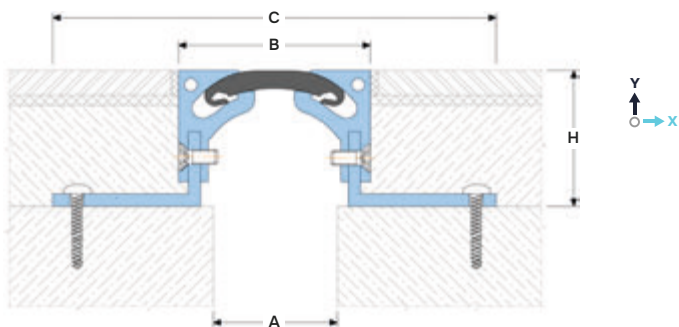
Joint width  
60 mm



Movements  
in 6 planes



Indoor/  
outdoor<sup>1</sup>



**DESIGNATIONS:**

A – nominal joint width;  
B – visible width;  
C – width seat;

H – installation height;  
 $M_x$  – horizontal movements;  
 $M_y$  – vertical movements.

Profile	Sizes, mm				Movements, mm		Permissible loads (kN)			
	A	B	C	H <sup>1</sup>	$M_x$	$M_y$				
SV 25/60/... <sup>1</sup>	60	78	200	From 50 mm <sup>2</sup>	22 (+11/-11)	10 (+5/-5)	50	100	50	10

<sup>1</sup>... – installation height to choose from standard (see H).

<sup>2</sup>The profile is customised to any height from 50 mm.

► **TECHNICAL DATA**

→ **FRAME**

Material	Aluminum EN AW 6063 T6 (T66 <sup>4</sup> )
Strength, MPa	$\sigma_b = 205$ (250 <sup>4</sup> )
Tolerances	EN 12020-2:2008
Length, m	3,0
Tooling	Perforated holes
Surface coat	Mill finish
Fasteners	Included

→ **FLEXIBLE INSERT**

Material	PVC-P				
Resistant	-30...+100 °C, UV+O <sub>3</sub> – resistant				
Length, m	20 meters per roll				
Color <sup>3</sup>	<table border="1"> <tr> <td>9005</td> <td>7035</td> <td>7037</td> <td>1015</td> </tr> </table>	9005	7035	7037	1015
9005	7035	7037	1015		

<sup>3</sup>On request, the insert can be made in any RAL color (ask for details).

<sup>4</sup>For EU market.

► **EQUIPMENT PROFILE**

